

4

3

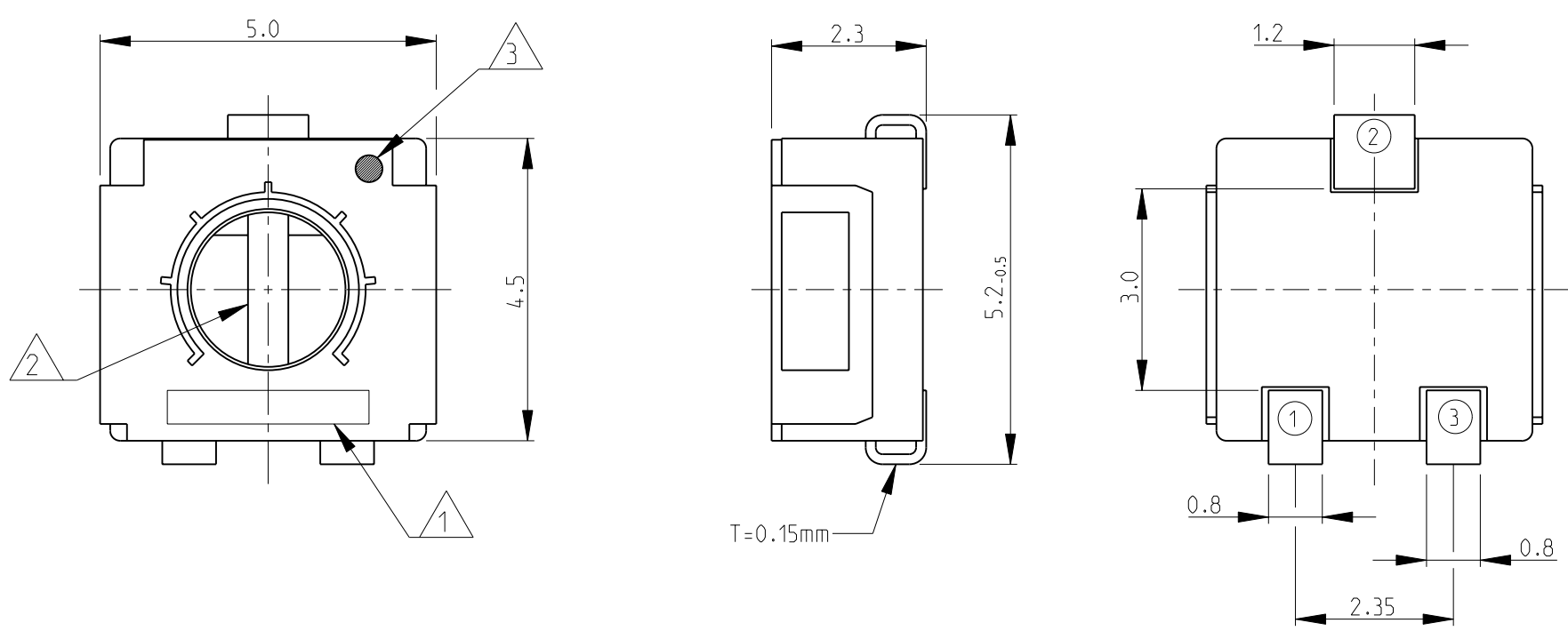
2

1

THIS DRAWING IS UNPUBLISHED. RELEASED FOR PUBLICATION 2008
 © COPYRIGHT 2008 BY TYCO ELECTRONICS CORPORATION. ALL RIGHTS RESERVED.

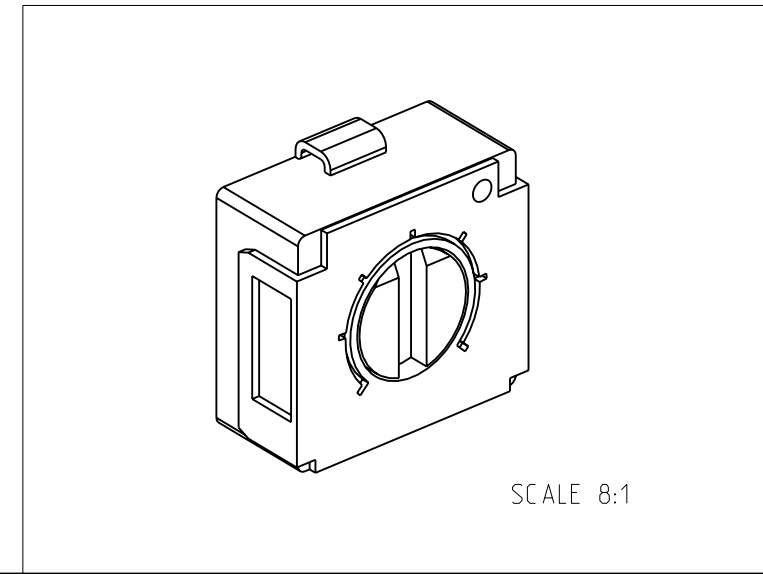
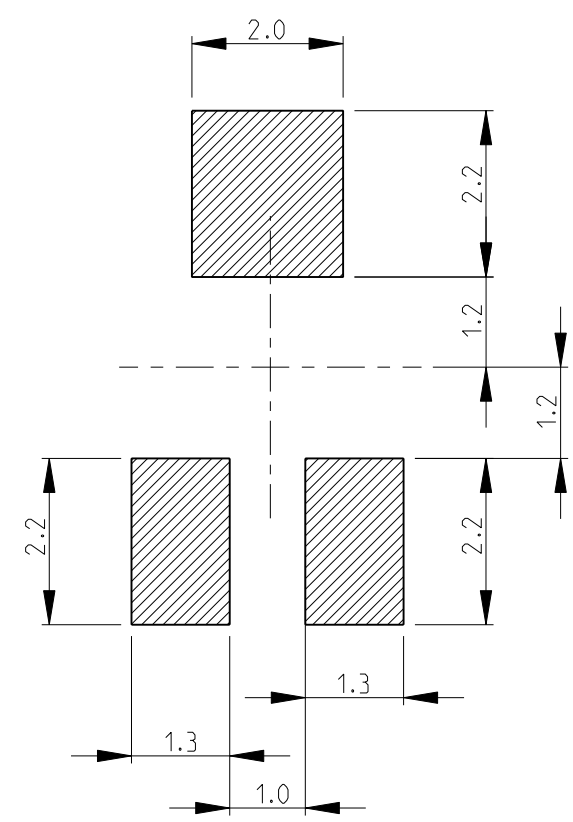
LOC	DIST	REVISIONS			
P	LTR	DESCRIPTION	DATE	DWN	APVD
E	B	BA	NEW RELEASE	13-NOV-08	SM St.P

- ① DATE/RESISTANCE CODE
- ② DRIVER SLOT, WIDTH- 0.6mm, LENGTH- 2.3mm, DEPTH- 0.5mm
- ③ LEAD-FREE IDENTIFICATION MARK
- 4 FOR FURTHER INFORMATION SEE DATA SHEET FOR 3204 SERIES-SMD TRIMMERS



RoHS Compliant

RECOMMENDED LAND PATTERN



<small>THIS DRAWING IS A CONTROLLED DOCUMENT FOR TYCO ELECTRONICS CORPORATION IT IS SUBJECT TO CHANGE AND THE CONTROLLING ENGINEERING ORGANIZATION SHOULD BE CONTACTED FOR THE LATEST REVISION.</small>		DWN	SUBHASH.M	13-NOV-08	Tyco Electronics Corporation Dorcan, Swindon, SN3 5HH
DIMENSIONS: mm		CHK	PRAKASH.S	13-NOV-08	
		APVD	STEPHEN.P	13-NOV-08	
TOLERANCES UNLESS OTHERWISE SPECIFIED: 0 PLC ±0.2 1 PLC ±0.1 2 PLC ±- 3 PLC ±- 4 PLC ±- ANGLES ±5°		PRODUCT SPEC	NAME		
MATERIAL - FINISH -		APPLICATION SPEC	SMD ECONOMY TRIMMERS SERIES 3204		
		WEIGHT	0.11g	SIZE	A3
		CUSTOMER DRAWING		CAGE CODE	00779
				DRAWING NO	1623909
				RESTRICTED TO	-
				SCALE	10:1
				SHEET	1 OF 1
				REV	BA